



**ON GRID / OFF GRID
RINO PRO II**
HYBRID ON & OFF GRID ENERGY
STORAGE INVERTER
SERIES 4/6/8/11KW



WITH ALL FEATURES



On-Grid and Off-Grid
series is suitable for on-grid and off-grid applications.



Remote Monitoring
Control and monitor your smart system on the move via our monitoring App and website



BMS
BMS Communication for lithium battery



Easy access
Accessible through a LCD touch screen and through the web. Two outputs for smart load management



Safe
Built-in anti-dust kit for harsh environment
AC overcurrent, AC overvoltage, over temperature protection

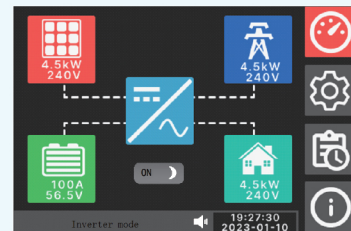


Flexible Rate Tariff
Charge from the grid at off-peak time when energy is cheaper and discharge at peak time when energy is more expensive.

Product characteristics

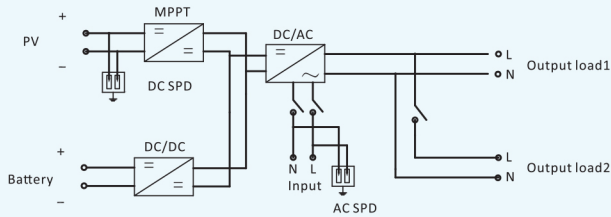


- A: AC OUTPUT
- B: AC INPUT
- C: COM
- D: PV INPUT
- E: ON/OFF
- F: DC INPUT
- G: PARALLEL CONNECTION

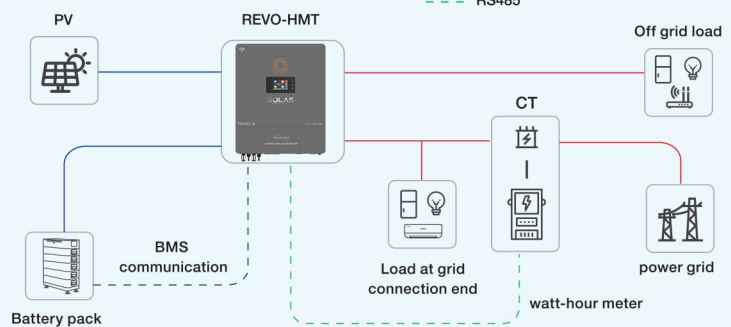


LCD touch screen

Circuit block diagram



Product application diagram



TECHNICAL DATA



Technical Specification	REVO HMT series				
Rated Power	4000VA/4000W	6000VA/6000W	6000VA/6000W	8000VA/8000W	11000VA/11000W
AC INPUT					
AC Voltage	220/230/240VAC				
Voltage Range	170~280VAC (For Personal Computers) ; 90~280 VAC (For Home Appliances)				
Frequency Range	50/60Hz (Auto sensing)				
AC OUTPUT					
Surge Power	8000VA	12000VA	12000VA	16000VA	22000VA
Voltage Regulation (Battery Mode)	220VAC/230VAC/240VAC ± 5%				
Rated frequency	50/60Hz				
Efficiency (Peak)	93%				
Transfer Time	10ms (For Personal Computers) ; 20ms (For Home Appliances)				
BATTERY					
Battery Voltage	48VDC				
Floating Charge Voltage	54VDC				
Overcharge Protection	63VDC				
Battery type	Lithium/Lead-acid				
SOLAR CHARGER & AC CHARGER					
Maximum PV Array Open Circuit Voltage	500VDC				
Maximum PV Array Power	5000W	7000W	8000W (4000*2)	11000W(5500W*2)	13000W(6500*2)
MPPT voltage range(V)	60~450VDC		60~450VDC		
Maximum input current	27A		27A*2(MAX 40A)		
MPPT tracker/strings	1		2		
Maximum solar charge current	120A		120A	150A	
Maximum AC charge current	100A		120A	150A	
Maximum charge current	120A		120A	150A	
PROTECTION & FEATURE					
AC overcurrent	Yes				
AC overvoltage	Yes				
Over temperature protection	Yes				
Smart load management	Yes				
On Grid	Yes				
Parallel function	Yes,6 units				
CT Anti-backflow function	NO		Yes		
GENERAL PARAMETERS					
Operation temperature	-10°C ~ 50°C				
Relative humidity	5% ~ 95% (Non-condensing)				
Altitude	(>2000m Derating)				
Dimensions D x W x H(mm)	466*313*136.5		500*440*130	553.6*432.5*147.4	
Net Weight(KG)	9	10.5	16.5	18	18.4
DISPLAY AND COMMUNICATION					
Display	Touch screen				
Interface	Standard:RS232,CAN&RS485; Optional: WiFi,Bluetooth				
Safety standard	EN/IEC 62109-1,EN/IEC 62109-2				

Solas Energy Technology Co., Ltd.

Address: No. 242-A-III, Ghalib Road, Gulberg III Lahore-Pakistan.

Phone: +92 306 444 6664 | Email: solasinverters@gmail.com