



ON GRID / OFF GRID RINO LV

HYBRID ON & OFF GRID ENERGY STORAGE INVERTER

SERIES 10KW

WITH ALL FEATURES



Easy access
Accessible through a LCD touch screen and through the web



ON-Grid and OFF-Grid
series is suitable for on-grid and off-grid applications.



Remote Monitoring
Control and monitor your smart system on the move via our monitoring App and website



BMS
Battery Communication for lithium battery

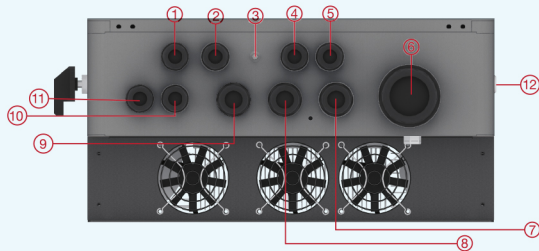


Safe
Physical and electrical dual isolation, Earth Leakage Current Monitoring, Anti-island protection, Insulation detection and so on

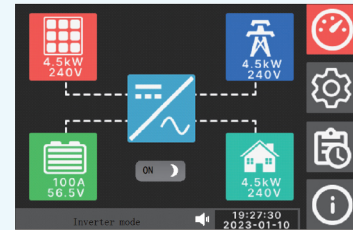


Flexible Rate Tariff
Charge from the grid at off-peak time when energy is cheaper, and discharge at peak time when energy is more expensive.

Product characteristics

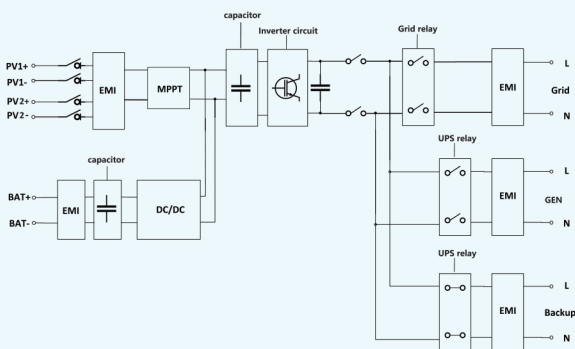


- 1. PARALLEL
- 2. CT
- 3. WIFI
- 4. BMS
- 5. RS232/Dry
- 6. BAT
- 7. GEN
- 8. AC OUTPUT
- 9. AC INPUT
- 10. PV1
- 11. PV2
- 12. Battery switch

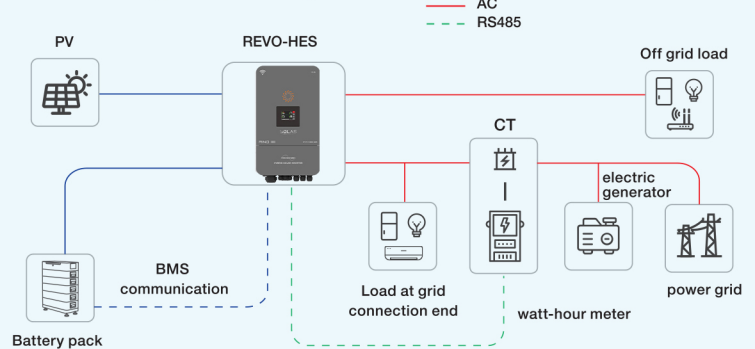


LCD touch screen

Circuit block diagram



Product application diagram



TECHNICAL DATA



Technical Specification	REVO HES series		
Rated Power	6000VA/6000W	8000VA/8000W	10000VA/10000W
PV INPUT			
Max.power(kW)	7	11	13
Max.DC voltage(V)	500		
MPPT voltage range(V)	90~450		
Max.input current(A)	30	20+20	
MPPT number/Max.input strings number	1/2	2/2	
AC OUTPUT(GRID-TIED)			
Grid voltage/range(V)	230/90~280(For Personal Computers);170~280(For Home Appliances)		
Frequency(Hz)	50/60		
PF	0.8lagging-0.8leading		
THDi	<3%		
AC output topology	L+N+PE		
BATTERY			
Battery voltage range(V)	40~63		
Max.charging voltage(V)	63		
Max.charge/discharge current(A)	120/140	150/190	150/220
Battery type	Lithium /Lead-acid		
UPS OUTPUT			
Rated power (kw)	6	8	10
Rated output voltage(V)	220/230/240		
Rated output current(A)	27.2/27/25	36.3/34.7/33.3	45.4/43.5/41.7
Rated frequency (Hz)	50/60		
Transfer Time(ms)	<10		
THDu	<10%		
Overload capacity	5s≥110%load;10s≥101%~110%load		
PROTECTION & FEATURE			
Anti-island protection	Yes		
Insulation monitoring	Yes		
Residual current monitoring	Yes		
Arc fault protection	Yes(Optional)		
Parallel function	Yes,6 units		
Other protection	AC overcurrent,AC overvoltage,Over temperature protection		
GENERAL PARAMETER			
Efficiency(Peak)	93%		
Degree of protection	IP65		
Operation temperature	-25°C~50°C,>45°C derating		
Cooling	smart cooling		
Relative humidity	5~95%(non-condensing)		
Altitude	(>2000m Derating)		
Dimensions W x D x H(mm)	360*192*630	437*218*630	
Net Weight(KG)	22.5	38	38.2
Isolation transformer	No		
Self-consumption(W)	<5		
DISPLAY AND COMMUNICATION			
Display	Touch screen		
Interface	Standard:RS232,CAN&RS485; Optional:WiFi,CT		
Safety standard	EN/IEC62109-1,EN/IEC62109-2		

Solas Energy Technology Co., Ltd.

Address: No. 242-A-III, Ghalib Road, Gulberg III Lahore-Pakistan.

Phone: +92 306 444 6664 | **Email:** solasinverters@gmail.com